



QRNG[®] Series Model QRNG 216

Parts Manual
Record of Change 100

This manual contains important safety information and must be made available to all personnel who operate and/or maintain this product. Carefully read this manual before attempting to operate or perform maintenance on this compressor.

Fill Out & Return Warranty Registration Card Located Inside

Manual No. 50168-100

April 2008 Edition

INTRODUCTION

This manual provides information for the QRNG Series, Model QRNG216 natural gas compressor per Record of Change 100.

The Model QRNG216 natural gas compressor is an aircooled, single stage, two cylinder, pressure lubricated compressor, capable of handling inlet pressures of -75 PSIG (15 in. mercury) up to 50 PSIG. Up to 150 PSIG of discharge pressure can be produced. It has a 3" bore, with a 2 1/2" stroke and can be run at 400-900 RPM.

CHANGES

Initial printing.

TABLE OF CONTENTS

- Ordering Replacement Parts 1
- Serial Number Identification 1
- Crankcase Lubricant Capacity 1
- Crankcase Group 2
- Crankshaft Group 3
- Bearing Carrier Group 4-5
- Connecting Rod & Piston Group 6-7
- Cylinder & Head Groups 8-11
- Head Assemblies 12-13
- Control Group 14
- Recommended Spare Parts 15
- Quin-Cip Lubricant 15
- Decals 15
- Gasket Set 15

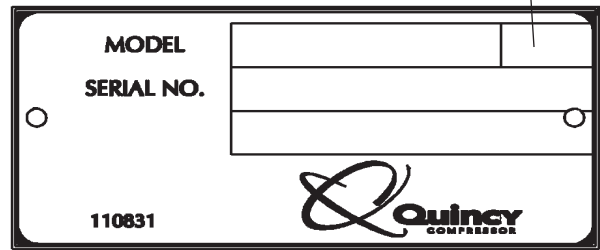
ORDERING REPLACEMENT PARTS

Prompt service can be rendered on repair parts orders if the following information is given:

- Item 1)** the model number, record of change number, & serial number.
- Item 2)** the exact part number needed. (Do not order by item numbers.)
- Item 3)** the exact quantity needed.
- Item 4)** the preferred type of transportation.

MODEL & SERIAL NUMBER IDENTIFICATION

Record of Change No.



Model & Serial Number Identification Tag

The serial number identification tag is located on the hand hole plate side of the crankcase. *Fill in the numbers from your compressor in the corresponding spaces provided here, and reference this page when ordering replacement parts.*

All replacement parts are to be ordered through an authorized Quincy gas application distributor. Insist on genuine Quincy parts only! Failure to do so may void warranty.

CRANKCASE LUBRICANT CAPACITY

Model	Capacity
QRNG 216	1 Qt - 16 Oz. (1.42 lit.)

CAUTION !

Refer to the Quincy QRNG Series instruction manual for vital lubrication information.

WARNING !

Follow all safety precautions outlined in the Quincy QRNG Series instruction manual.

CAUTION !

Do not operate this compressor without a totally enclosed belt guard or any other required safety equipment.

DANGER !

Air used for breathing or food processing must meet OSHA 1910.134 or FDA 21 CFR 178.3570 regulations. Failure to do so may cause severe injury or death.

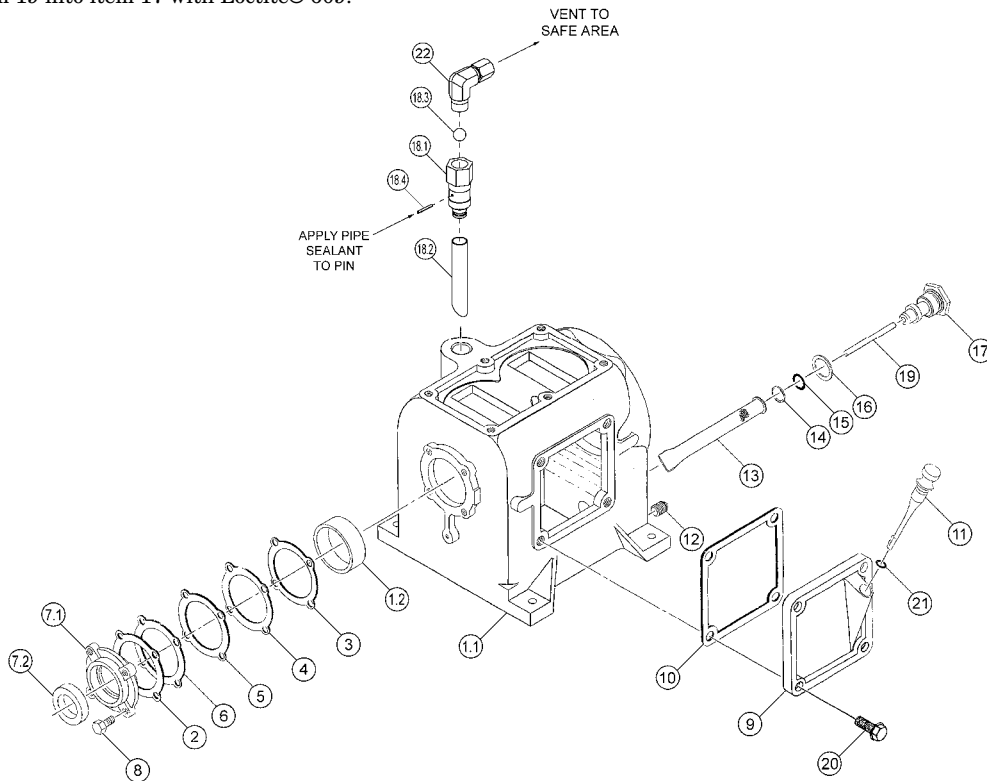
CRANKCASE GROUP 110250-002

Item Number	Qty.	Part Number	Description
1	1	5513X002	crankcase assembly
1.1	1	5513-002	crankcase
1.2	1	2523	bearing cup
2	*	1832D	shim, bearing adjustment, .002 steel
3	*	1832	shim, bearing adjustment, .005, steel
4	*	1832A	shim, bearing adjustment, .007, steel
5	*	1832B	shim, bearing adjustment, .020, steel
6	*	1832C	shim, bearing adjustment, .005, paper
7	1	5516X1	adjustment plate assembly
7.1	1	5516	plate, adjustment (.0015/.003 crankshaft end play)
7.2	1	6315-001	oil seal
8	4	123478-L10	hex. screw, 3/8-16 unc x .75, grade 5 (@ 30 ft.-lbs.)
9	1	2321-001	inspection plate
10	1	1598	gasket, inspection plate
11	1	111876-5	oil gauge
12	1	1301	pipe plug, 3/8 npt
13	1	6272	screen
14	1	6313-1	gasket, inlet screw
15	1	22749-116	"o"ring, 3/32 wide x .94 o.d.
16	1	6275	gasket, inlet screw
‡ 17	1	6273	oil inlet screw
18	1	112031X001	breather assembly
18.1	1	112031-001	breather body
18.2	1	112032-001	breather tube
18.3	1	5783-002	ball
‡ 18.4	1	110705-C11	roll pin
19	1	8270	tube
20	4	114629	hex. screw, 5/16-18 unc x 1.00, grade 5 (@ 150 in.-lbs.)
21	1	22749-112	"o"ring, 3/32 wide x .69 o.d.
22	1	110419-010	tube fitting, 90° male elbow, 3/8 tube x 3/8 npt

* Quantity as required

@ Indicates torque value (dry threads)

‡ Assemble item 19 into item 17 with Loctite® 609.

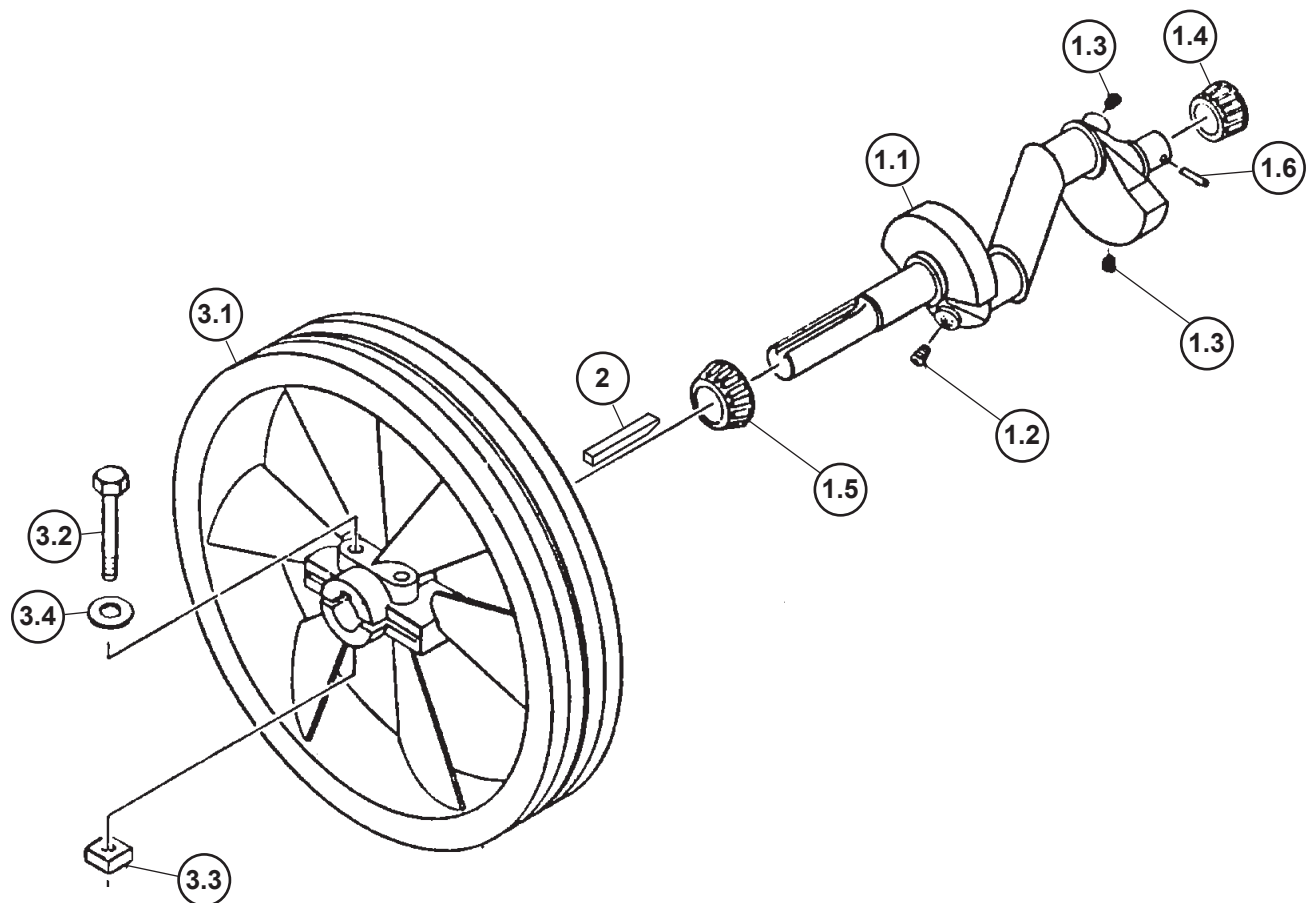


CRANKSHAFT GROUP 110251

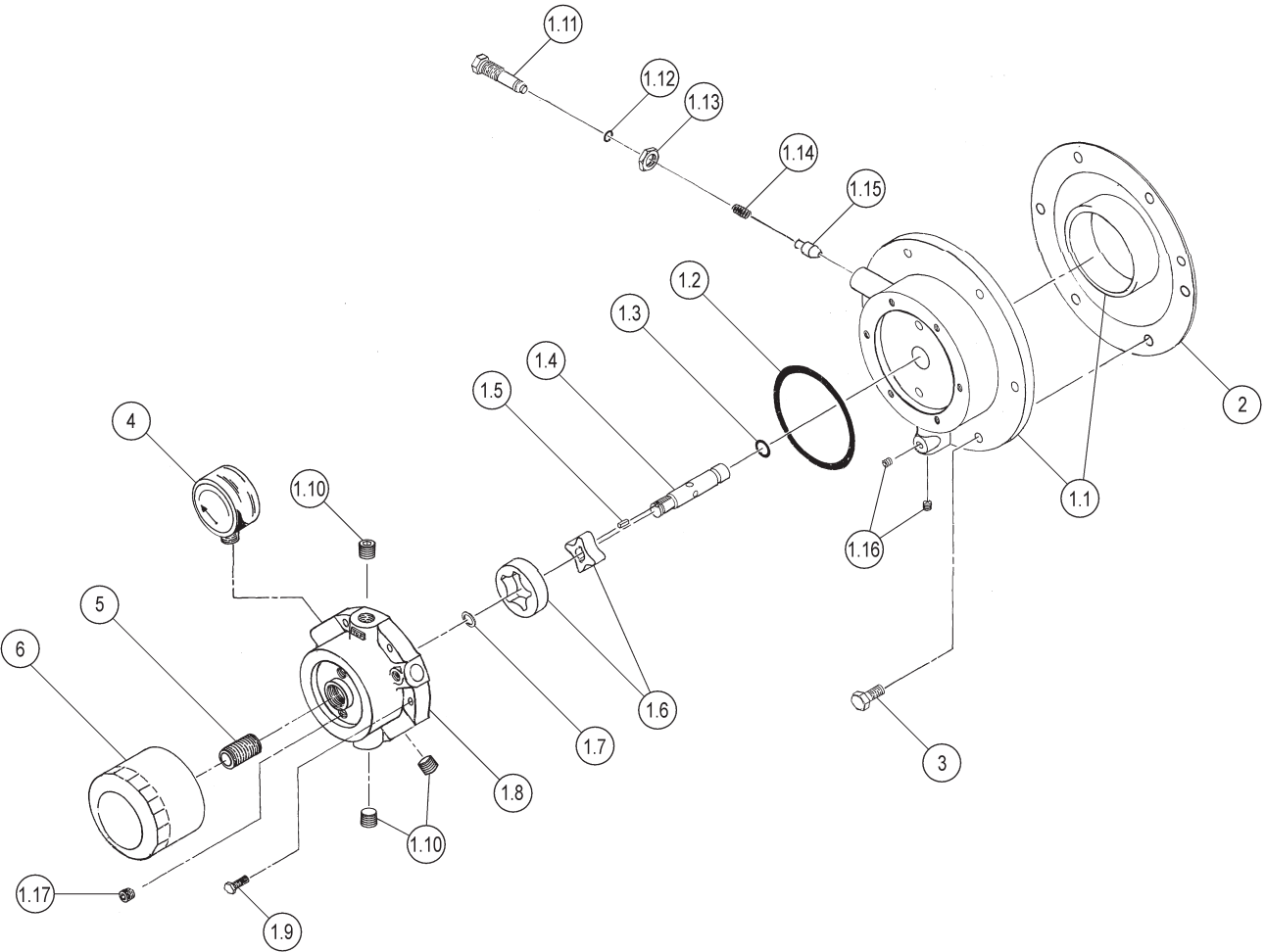
Item Number	Qty.	Part Number	Description
1	1	110219	crankshaft assembly
1.1	1	110218	crankshaft (N.S.S.; order 110219)
1.2	1	110234	orifice, 1/8 npt
1.3	2	2755S	pipe plug, 1/8 npt
1.4	1	4019	bearing cone
1.5	1	2585	bearing cone
1.6	1	110705-F15	pin
2	1	1761	key
3	1	2917X	sheave assembly
3.1	1	2917	compressor sheave, 14", 1G,B sect, ccw (N.S.S.; order 2917X)
3.2	2	124239-001	socket head screw, 3/8-16 unc X 2.75, Grade 5 (@ 30 ft.-lbs.)
3.3	2	124372-L02	square nut, 3/8-16 unc
3.4	2	110428W038	flatwasher, 3/8

N.S.S. = Not Sold Separate

@ Indicates torque value (dry threads)



BEARING CARRIER GROUP 110815-005



BEARING CARRIER GROUP 110815-005

Item Number	Qty.	Part Number	Description
1	1	110809-005	bearing carrier assembly (N.S.S.; order 110809X005)
1.1	1	110809	bearing carrier (N.S.S.; order 110809X005)
	1	4018	includes: cup, bearing
	2	160005	bushing
1.2	1	22749-152	"o"ring, 3/32 wide x 3.44 o.d.
1.3	1	22749-112	"o"ring, 3/32 wide x .69 o.d.
1.4	1	160002-002	driveshaft
1.5	1	160075-001	driveshaft key
1.6	1	160003	pump gerotor
1.7	1	6285	retaining ring
1.8	1	110813-001	oil pump housing
1.9	6	123777-J12	hex. screw, 1/4-20 unc x 1.00, grade 5 (@ 6 ft.-lbs.)
1.10	3	2719	pipe plug, 1/4 npt, hex socket
1.11	1	5489	adjustment screw
1.12	1	22749-011	"o"ring, 1/16 wide x .44 o.d.
1.13	1	124369-P02	jamnut, 9/16-18 unf
1.14	1	1160	spring
1.15	1	112857	needle valve
1.16	2	6565	hole plug
1.17	1	2755S	pipe plug, 1/8 npt
2	1	6274-1	gasket, bearing carrier
3	6	123478-L12	hex. screw, 3/8-16 unc x 1.00, grade 5 (@ 30 ft.-lbs.)
4	1	110822	* oil pressure gauge
5	1	110825	stud
6	1	110814	oil filter

Maintenance Parts

160078-001

Oil Pump Repair Kit

includes "o"rings, driveshaft, key & retaining ring

110809X005

Replacement Bearing Carrier Assembly

includes bearing carrier assembly, oil filter, stud & bearing carrier gasket

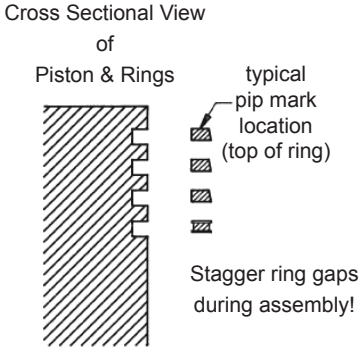
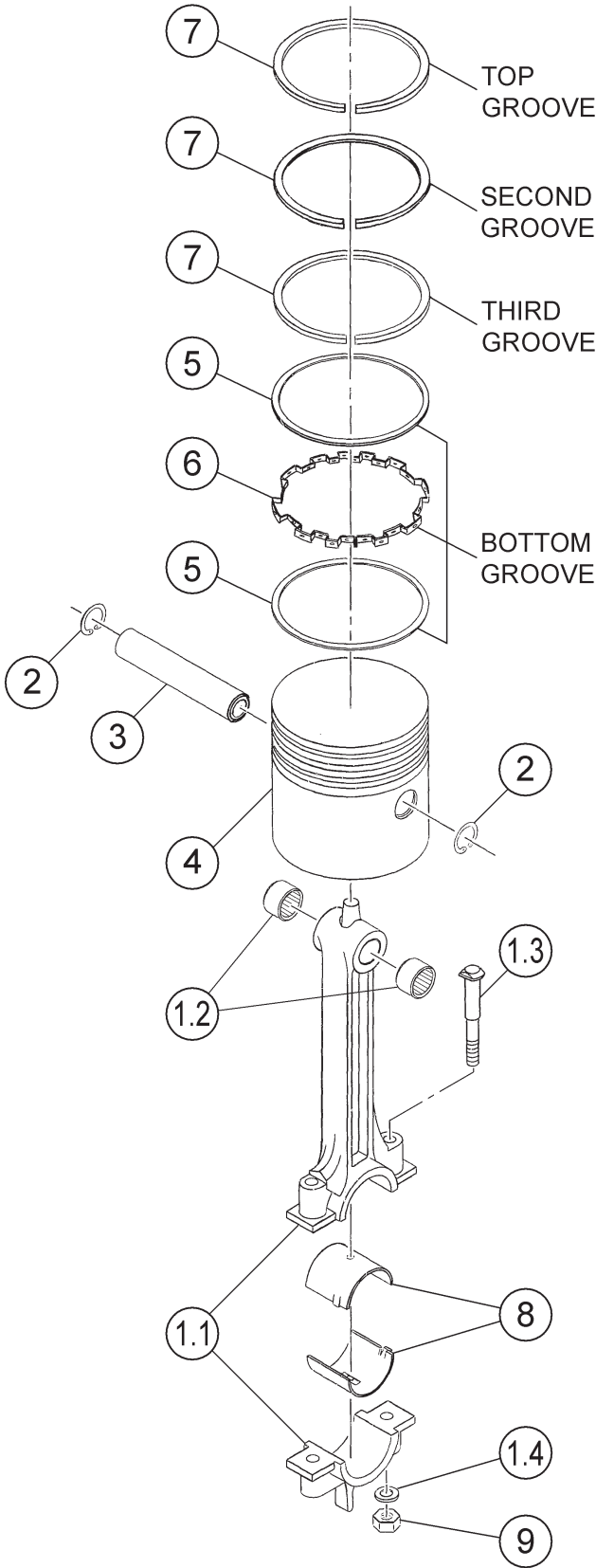
N.N.S. = Not Sold Separate

@ Indicates torque value (dry threads). Tighten multiple bolts, capscrews & hex nuts in a criss-cross or alternating pattern. Bring each fastener to the recommended torque specification in even increments.

* Should indicate approximately 25 psig at operating temperature.

CONNECTING ROD & PISTON GROUP 110260-002

(2 required per compressor)



CONNECTING ROD & PISTON GROUP 110260-002

(2 required per compressor)

Item Number	Qty.	Part Number	Description
1	1	110703X003	connecting rod assembly (N.S.S.; order 110703X103)
1.1	1	110703-003	connecting rod (N.S.S.; order 110703X103)
1.2	2	111880	connecting rod needle bearing
1.3	2	3532	connecting rod bolt 5/16-24 unf
1.4	2	111260-002	connecting rod washer
2	2	8648	retaining ring
3	1	110190-008	piston pin
4	1	1531-001	piston
5	2	6451	oil ring rail
6	1	6450	oil ring expander
7	3	1648	compression ring
8	2	2824	con rod bearing insert (N.S.S.; order 2824PR)
9	2	124471-K08	locknut, 5/16-24 unf (@ 19 ft.-lbs.)
Maintenance Parts			
	*1	2824PR	inserts (pair), con rod bearing,(standard)
	*1	2824-010PR	inserts (pair), con rod bearing, (.010 oversize)
	1	1531-011	piston (.010 oversize)
	1	1531-021	piston (.020 oversize)
	2	6452A	Ring Set (standard) no color code includes compression ring, oil ring rails & expander (for one piston)
	2	4425-010	Ring Set (.010 oversize; light blue) includes compression rings, oil ring rails & expander (for one piston)
	2	4425-020	Ring Set (.020 oversize; yellow) includes compression rings & oil ring
	2	1531X050	Piston Assembly (standard) includes piston, piston pin, retaining rings & ring set
	2	1531X011	Piston Assembly (.010 oversize) includes piston, piston pin, retaining rings & ring set
	2	1531X021	Piston Assembly (.020 oversize) includes piston, piston pin, retaining rings & ring set
	2	4425-020	Ring Set (.020 oversize; yellow) includes piston, piston pin, retaining rings & ring set
	2	110703X103	Replacement Connecting Rod Assembly includes connecting rod assembly, locknuts & con-rod bearing inserts

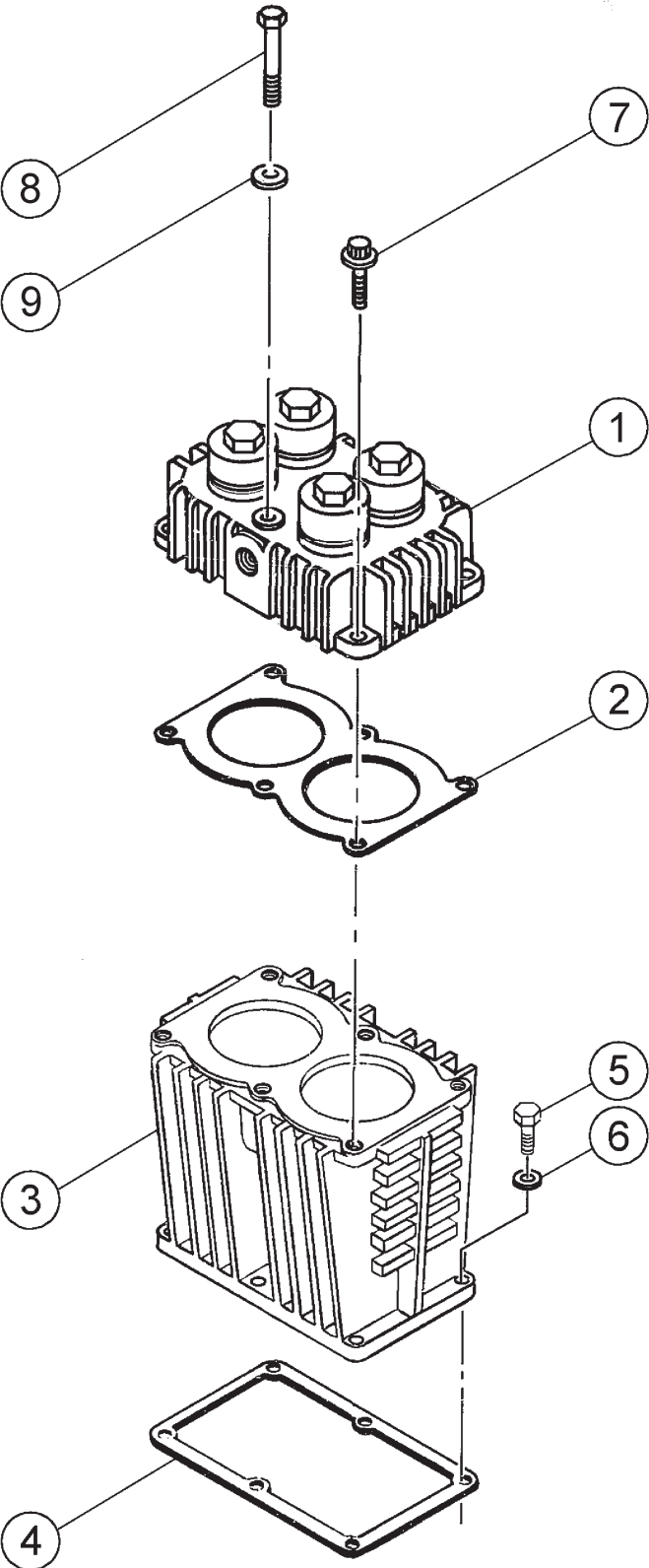
N.S.S. = Not Sold Separate

@ Indicates torque value (dry threads). Tighten multiple bolts, capscrews & hex nuts in a criss-cross or alternating pattern. Bring each fastener to the recommended torque specification in even increments.

* 1 pair required for each connecting rod assembly.

CYLINDER & HEAD GROUP 110252-003

(plain head)



CYLINDER & HEAD GROUP 110252-003

(plain head)

Item Number	Qty.	Part Number	Description
1	1	1911P	head assembly
2	1	1943-1	gasket
3	1	1913	cylinder
4	1	1594-1	gasket, cylinder
5	6	123478-L14	hex. screw, 3/8-16 unc x 1.25, grade 5 (@ 30 ft.-lbs.)
6	6	123115-06C	lockwasher, 3/8
7	4	90386-L12	counterbore screw, 3/8-16 unc x 1.00, grade 8 (@ 30 ft.-lbs.)
8	2	1936	hex. screw, 3/8-16 unc x 3.00, grade 5 (@ 30 ft.-lbs.)
9	2	1836	washer

Maintenance Parts

1911GP

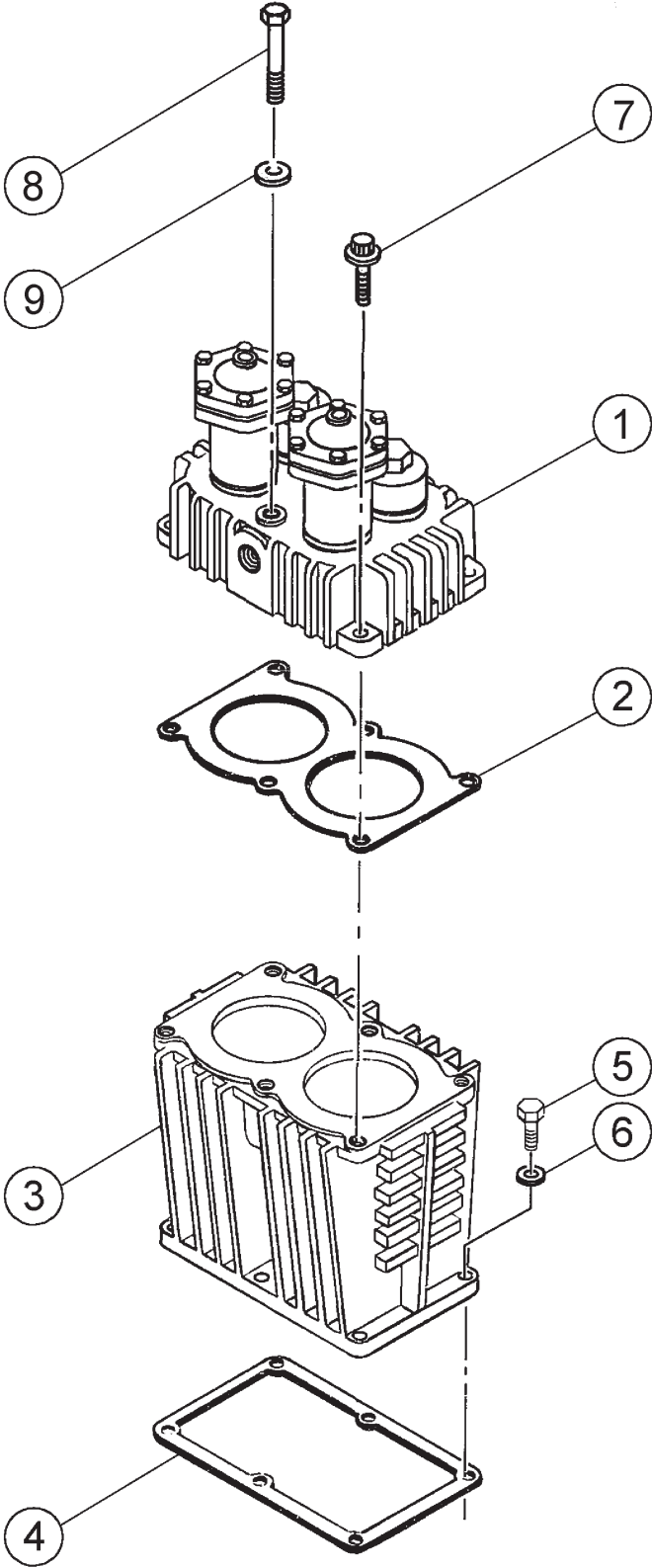
Replacement Head Assembly

includes head assembly & head gasket

@ Indicates torque value (dry threads). Tighten multiple bolts, capscrews & hex nuts in a criss-cross or alternating pattern. Bring each fastener to the recommended torque specification in even increments.

CYLINDER & HEAD GROUP 110255-002

(head with unloaders)



CYLINDER & HEAD GROUP 110255-002

(head with unloaders)

Item Number	Qty.	Part Number	Description
1	1	1911-2UU	head assembly
2	1	1943-1	gasket
3	1	1913	cylinder
4	1	1594-1	gasket, cylinder
5	6	123478-L14	hex. screw, 3/8-16 unc x 1.25, grade 5 (@ 30 ft.-lbs.)
6	6	123115-06C	lockwasher, 3/8
7	4	90386-L12	counterbore screw, 3/8-16 unc x 1.00, grade 8 (@ 30 ft.-lbs.)
8	2	1936	hex. screw, 3/8-16 unc x 3.00, grade 5 (@ 30 ft.-lbs.)
9	2	1836	washer

Maintenance Parts

1911GU

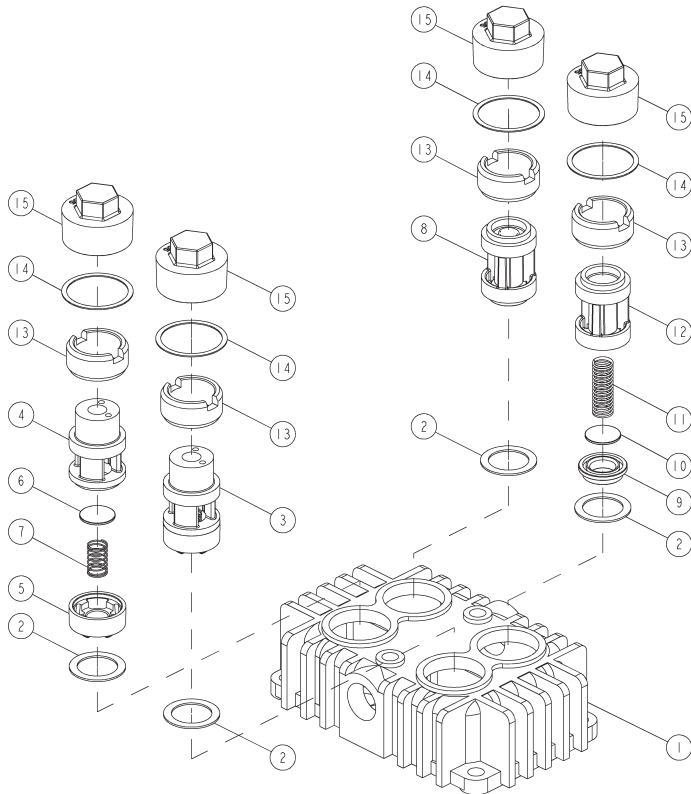
Replacement Head Assembly

includes head assembly & head gasket

@ Indicates torque value (dry threads). Tighten multiple bolts, capscrews & hex nuts in a criss-cross or alternating pattern. Bring each fastener to the recommended torque specification in even increments.

HEAD ASSEMBLY 1911P

(plain head)

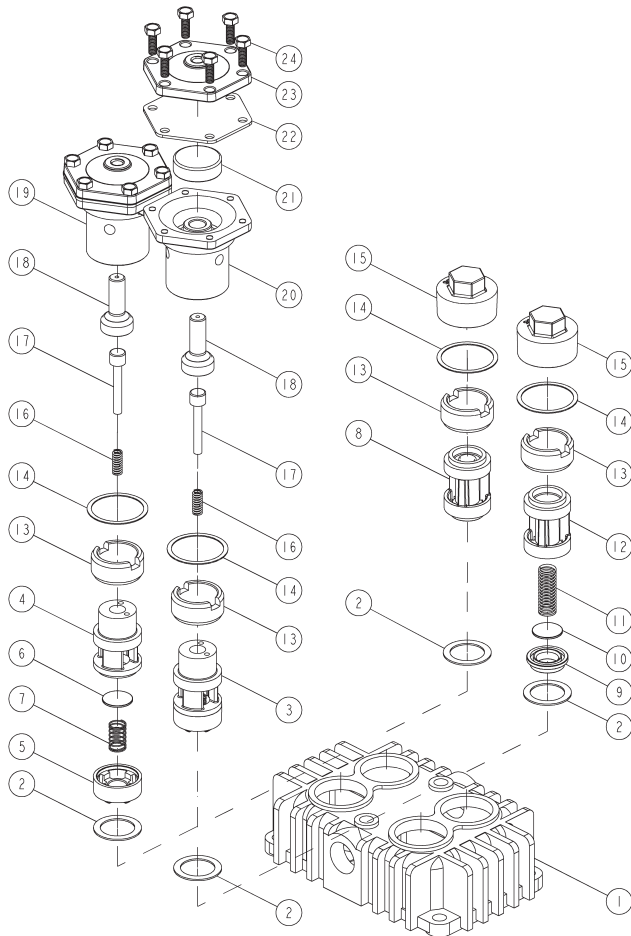


1911P HEAD ASSEMBLY, PLAIN			
ITEM	PART NUMBER	QTY	DESCRIPTION
1	1911	1	HEAD
2	1554	4	GASKET
3	4610X2	2	SUCTION VALVE ASSEMBLY
4	4610	1	VALVE SEAT
5	1549-002	1	VALVE BUMPER
6	1552-002	1	VALVE DISC
7	1202	1	SPRING, UNLOAD, PIN
8	1553X10	2	DISCHARGE VALVE AY
9	1553	1	VALVE SEAT
10	1552-002	1	VALVE DISC
11	1368	1	SPRING, UNLOAD, PIN
12	3010-002	1	VALVE BUMPER
13	3008	4	HOLD DOWN SCREW (@ 60 FT-LBS)
14	1556	4	VALVE COVER CAP GASKET
15	1555	4	CAP
MAINTENANCE PARTS			
	4610X3		REPLACEMENT SUCTION VALVE ASSEMBLY INCLUDES SUCTION VALVE ASSEMBLY AND VALVE GASKET
	1553X11		REPLACEMENT DISCHARGE VALVE ASSEMBLY INCLUDES DISCHARGE VALVE ASSEMBLY AND VALVE GASKET

@ INDICATES TORQUE VALUE (DRY THREADS). TIGHTEN MULTIPLE BOLTS, CAPSCREWS AND HEX NUTS IN A CRISS-CROSS OR ALTERNATING PATTERN. BRING EACH FASTENER TO THE RECOMMENDED TORQUE SPECIFICATIONS IN EVEN INCREMENTS.

HEAD ASSEMBLY 1911-2UU

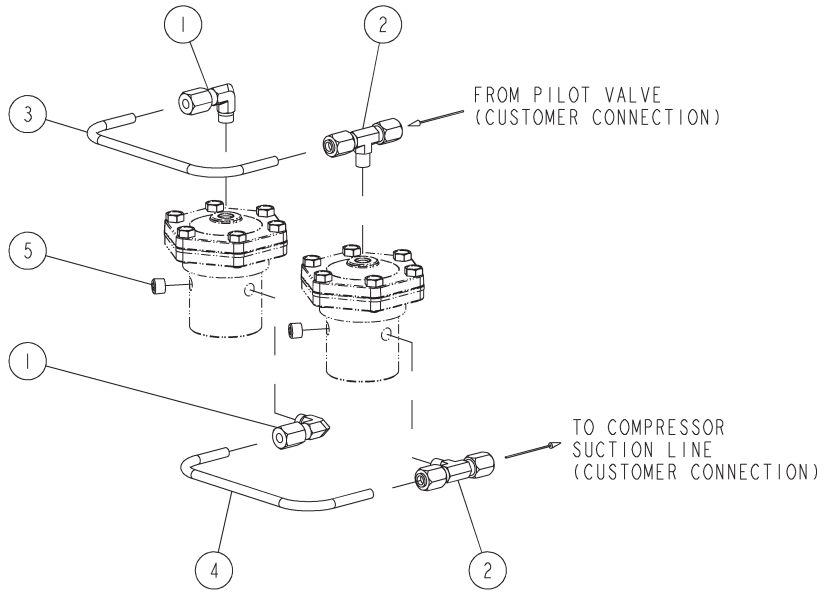
(head with unloaders)



1911-2UU HEAD ASSEMBLY, LOADLESS			
ITEM	PART NUMBER	QTY	DESCRIPTION
1	1911	1	HEAD
2	1554	4	GASKET
3	4610X2	2	SUCTION VALVE ASSEMBLY
4	4610	1	VALVE SEAT
5	1549-002	1	VALVE BUMPER
6	1552-002	1	VALVE DISC
7	1202	1	SPRING, UNLOAD. PIN
8	1553X10	2	DISCHARGE VALVE AY
9	1553	1	VALVE SEAT
10	1552-002	1	VALVE DISC
11	1368	1	SPRING, UNLOAD. PIN
12	3010-002	1	VALVE BUMPER
13	3008	4	HOLD DOWN SCREW (Ø 60 FT-LBS)
14	1556	4	VALVE COVER CAP GASKET
15	1555	2	CAP
16	6945	2	SPRING, UNLOAD. PIN
17	6937	2	UNLOADER PLUNGER
18	7532X1	2	UNLOADER PISTON ASSEMBLY
19	40055-1	2	UNLOADER ASSEMBLY (Ø 75 FT-LBS)
20	7483-002	1	UNLOADER BODY
21	5910	1	UNLOADER CAP
22	1855	1	DIAPHRAGM
23	1818B	1	PLATE, COVER DIAPHRAGM
24	7499	6	SCREW (Ø 6 FT-LBS)
MAINTENANCE PARTS			
	4610X3		REPLACEMENT SUCTION VALVE ASSEMBLY INCLUDES SUCTION VALVE ASSEMBLY AND VALVE GASKET
	1553X11		REPLACEMENT DISCHARGE VALVE ASSEMBLY INCLUDES DISCHARGE VALVE ASSEMBLY AND VALVE GASKET
	7483X1		REPLACEMENT UNLOADER ASSEMBLY INCLUDES UNLOADER PISTON ASSEMBLY, UNLOADER ASSEMBLY, AND VALVE GASKET
PARTS FOR USE WITH DIESTER OR PHOSPHATE ESTER SYNTHETIC BASED LUBRICANTS			
22	1855S	2	DIAPHRAGM

Ø INDICATES TORQUE VALUE (DRY THREADS). TIGHTEN MULTIPLE BOLTS, CAPSCREWS AND HEX NUTS IN A CRISS-CROSS OR ALTERNATING PATTERN. BRING EACH FASTENER TO THE RECOMMENDED TORQUE SPECIFICATIONS IN EVEN INCREMENTS.

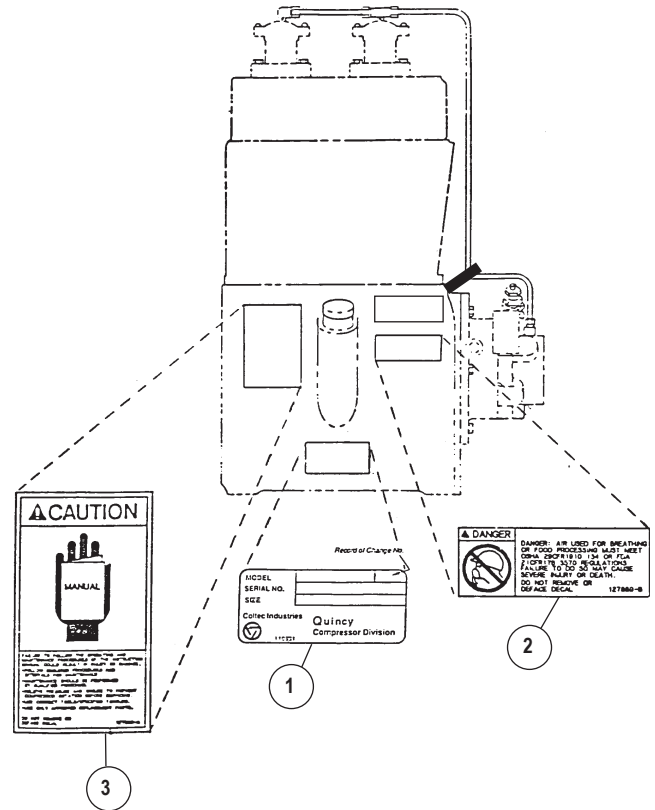
CONTROL GROUP 116269-001



116269-001 GROUP, CONTROL, QRNG UNLOADERS				
ITEM	PART NUMBER	QTY	DESCRIPTION	
1	110419-004	2	TUBE FITTING, 90° ELBOW, 1/4T x 1/8MP	
2	116268-002	2	TUBE FITTING, MALE BRANCH TEE, 1/4T X 1/8P	
3	110421	1	1/4" STEEL TUBE (1 FT)	
4	110421	1	1/4" STEEL TUBE (1 FT)	
5	2755S	4	PIPE PLUG, 1/8 NPT	

Recommended Spare Parts			
Item #	Qty.	Part Number	Description
	1	4610X2	replacement suction valve assy.
	1	1553X10	replacement discharge valve assy.
	1	110822	pressure gauge
	1	160078-001	oil pump repair kit
	1	5508G	gasket set

"O" Ring Kit 116270			
Item #	Qty.	Part Number	Description
	1	22749-011	"o"ring, 1/16 wide x .44 o.d.
	2	22749-112	"o"ring, 3/32 wide x .69 o.d.
	1	22749-115	"o"ring, 3/32 wide x .88 o.d.
	1	22749-116	"o"ring, 3/32 wide x .94 o.d.
	1	22749-152	"o"ring, 3/32 wide x 3.44 o.d.
	1	6315-001	oil seal



QUIN-CIP LUBRICANT

Refer to the chart below to order Quin-Cip compressor lubricant from your local authorized Quincy gas application distributor.

Package	Part No.	Description
Barrel	112541D032	55 gal., SAE 10W
Pail	112541P032	5 gal., SAE 10W
Gallon	112541G032	1 gal., SAE 10W
Gallon Case	112541X032	(4)-1 gal., SAE 10W
Quart	112541Q032	1 qt., SAE 10W
Quart Case	112541C032	(12)-1 qt., SAE 10W
Barrel	112542D068	55 gal., SAE 20
Pail	112542P068	5 gal., SAE 20
Gallon	112542G068	1 gal., SAE 20
Gallon Case	112542X068	(4)-1 gal., SAE 20
Quart	112542Q068	1 qt., SAE 20
Quart Case	112542C068	(12)-1 qt., SAE 20
Barrel	112543D100	55 gal., SAE 30
Pail	112543P100	5 gal., SAE 30
Gallon	112543G100	1 gal., SAE 30
Gallon Case	112543X100	(4)-1 gal., SAE 30
Quart	112543Q100	1 qt., SAE 30
Quart Case	112543C100	(12)-1 qt., SAE 30

Decals			
Item #	Qty.	Part Number	Description
	1	110831	serial number & nameplate
	2	127889-A	decal, CAUTION!, MANUAL
	3	127889-B	decal, DANGER!,"Air from this..."

Gasket Set 5508G			
Item #	Qty.	Part Number	Description
	4	1554	valve gasket
	4	1556	valve gasket
	1	1594-1	gasket
	1	1598	gasket, inspection plate
	2	1832	shim, bearing adj., .005, steel
	2	1832A	shim, bearing adj., .007, steel
	1	1832B	shim, bearing adj., .020, steel
	6	1832C	shim, bearing adj., .005, paper
	2	1832D	shim, bearing adj., .002 stl.
	1	1943-1	head gasket
	1	6274-1	bearing carrier gasket

QUINCY COMPRESSOR

STANDARD TERMS AND CONDITIONS

LEGAL EFFECT: Except as expressly otherwise agreed to in writing by an authorized representative of Seller, the following terms and conditions shall apply to and form a part of this order and any additional and/or different terms of Buyer's purchase order or other form of acceptance are rejected in advance and shall not become a part of this order.

The rights of Buyer hereunder shall be neither assignable nor transferable except with the written consent of Seller.

This order may not be canceled or altered except with the written consent of Seller and upon terms which will indemnify Seller against all loss occasioned thereby. All additional costs incurred by Seller due to changes in design or specifications, modification of this order or revision of product must be paid for by Buyer.

In addition to the rights and remedies conferred upon Seller by this order, Seller shall have all rights and remedies conferred at law and in equity and shall not be required to proceed with the performance of this order if Buyer is in default in the performance of such order or of any other contract or order with seller.

TERMS OF PAYMENT: Unless otherwise specified in the order acknowledgment, the terms of payment shall be 1% 15, net forty-five (45) days after shipment. These terms shall apply to partial as well as complete shipments. If any proceeding be initiated by or against Buyer under any bankruptcy or insolvency law, or in the judgment of Seller the financial condition of Buyer, at the time the equipment is ready for shipment, does not justify the terms of payment specified, Seller reserves the right to require full payment in cash prior to making shipment. If such payment is not received within fifteen (15) days after notification of readiness for shipment, Seller may cancel the order as to any unshipped item and require payment of its reasonable cancellation charges.

If Buyer delays shipment, payments based on date of shipment shall become due as of the date when ready for shipment. If Buyer delays completion of manufacture, Seller may elect to require payment according to percentage of completion. Equipment held for Buyer shall be at Buyer's risk and storage charges may be applied at the discretion of Seller.

Accounts past due shall bear interest at the highest rate lawful to contract for but if there is no limit set by law, such interest shall be eighteen percent (18%). Buyer shall pay all cost and expenses, including reasonable attorney's fees, incurred in collecting the same, and no claim, except claims within Seller's warranty of material or workmanship, as stated below, will be recognized unless delivered in writing to Seller within thirty (30) days after date of shipment.

TAXES: All prices exclude present and future sales, use, occupation, license, excise, and other taxes in respect of manufacture, sales or delivery, all of which shall be paid by Buyer unless included in the purchase price at the proper rate or a proper exemption certificate is furnished.

ACCEPTANCE: All offers to purchase, quotations and contracts of sales are subject to final acceptance by an authorized representative at Seller's plant.

DELIVERY: Except as otherwise specified in this quotation, delivery will be F. O. B. point of shipment. In the absence of exact shipping instruction, Seller will use its discretion regarding best means of insured shipment. No liability will be accepted by Seller for so doing. All transportation charges are at Buyer's expense. Time of delivery is an estimate only and is based upon the receipt of all information and necessary approvals. The shipping schedule shall not be construed to limit seller in making commitments for materials or in fabricating articles under this order in accordance with Seller's normal and reasonable production schedules.

Seller shall in no event be liable for delays caused by fires, acts of God, strikes, labor difficulties, acts of governmental or military authorities, delays in transportation or procuring materials, or causes of any kind beyond Seller's control. No provision for liquidated damages for any cause shall apply under this order. Buyer shall accept delivery within thirty (30) days after receipt of notification of readiness for shipment. Claims for shortages will be deemed to have been waived if not made in writing with ten (10) days after the receipt of the material in respect of which any such shortage is claimed. Seller is not responsible for loss or damage in transit after having received "In Good Order" receipt from the carrier. All claims for loss or damage in transit should be made to the carrier.

TITLE & LIEN RIGHTS: The equipment shall remain personal property, regardless of how affixed to any realty or structure. Until the price (including any notes given therefore) of the equipment has been fully paid in cash, Seller shall, in the event of Buyer's default, have the right to repossess such equipment.

PATENT INFRINGEMENT: If properly notified and given an opportunity to do so with friendly assistance, Seller will defend Buyer and the ultimate user of the equipment from any actual or alleged infringement of any published United States patent by the equipment or any part thereof furnished pursuant hereto (other than parts of special design, construction, or manufacture specified by and originating with Buyer), and will pay all damages and costs awarded by competent court in any suit thus defended or of which it may have had notice and opportunity to defend as aforesaid.

STANDARD WARRANTY: Seller warrants that products of its own manufacture will be free from defects in workmanship and materials under normal use and service for the period specified in the product instruction manual. Warranty for service parts will be Ninety (90) days from date of factory shipment. Electric Motors, gasoline and diesel engines, electrical apparatus and all other accessories, components and parts not manufactured by Seller are warranted only to the extent of the original manufacturer's warranty.

Notice of the alleged defect must be given to the Seller, in writing with all identifying details including serial number, type of equipment and date of purchase within thirty (30) days of the discovery of the same during the warranty period.

Seller's sole obligation on this warranty shall be, at its option, to repair or replace or refund the purchase price of any product or part thereof which proves to be defective. If requested by Seller, such product or part thereof must be promptly returned to seller, freight prepaid, for inspection.

Seller warrants repaired or replaced parts of its own manufacture against defects in materials and workmanship under normal use and service for ninety (90) days or for the remainder of the warranty on the product being repaired.

This warranty shall not apply and Seller shall not be responsible or liable for:

- (a) Consequential, collateral or special losses or damages;
- (b) Equipment conditions caused by fair wear and tear, abnormal conditions of use, accident, neglect or misuse of equipment, improper storage or damage resulting during shipping;
- (c) Deviation from operating instructions, specifications or other special terms of sale;
- (d) Labor charges, loss or damage resulting from improper operation, maintenance or repairs made by person(s) other than Seller or Seller's authorized service station.

In no event shall Seller be liable for any claims whether arising from breach of contract or warranty or claims of negligence or negligent manufacture in excess of the purchase price.

THIS WARRANTY IS THE SOLE WARRANTY OF SELLERS AND ANY OTHER WARRANTIES, WHETHER EXPRESS OR IMPLIED IN LAW OR IMPLIED IN FACT, INCLUDING ANY WARRANTIES OF MERCHANTABILITY AND FITNESS FOR PARTICULAR USE ARE HEREBY SPECIFICALLY EXCLUDED.

LIABILITY LIMITATIONS: Under no circumstances shall the Seller have any liability for liquidated damages or for collateral, consequential or special damages or for loss of profits, or for actual losses or for loss of production or progress of construction, whether resulting from delays in delivery or performance, breach of warranty, negligent manufacture or otherwise.

ENVIRONMENTAL AND OSHA REQUIREMENTS: At the time of shipment of the equipment from the factory, Quincy Compressor / Ortman Fluid Power will comply with the various Federal, State and local laws and regulations concerning occupational health and safety and pollution. However, in the installation and operation of the equipment and other matters over which the seller has no control, the Seller assumes no responsibility for compliance with those laws and regulations, whether by the way of indemnity, warranty or otherwise.

June 30, 2003



Reciprocating / Systems: 217.222.7700
E-mail: info@quincycompressor.com
Website: quincycompressor.com

